



The Quadralux Q6 Foundation is a large, high-power, architectural-grade spotlight that combines technology and performance in a modern form factor. Packed with features including **EasyGlow™** visual comfort, and **CoolDrive™** thermal management technologies. Packed with features including **EasyGlow™** visual comfort, and **CoolDrive™** thermal management technologies. Unique and flexible mounting with glare control accessories enable installation in multiple orientations. Featuring Designer Optics, providing superb color-over-angle consistency and blending of colors even at close distances. Available in DALI, 0-10 V dimming or non-dimmable configurations.

Up to 664,000 Candela

Performance

Static White & Color <sup>1</sup>	Lumen Output (lm)	Efficacy (lm/W)	Peak Intensity (cd)
■ 2,700 K (80 CRI)	6,690	95	144,800
■ 3,000 K (80 CRI)	6,980	99	151,000
□ 3,500 K (80 CRI)	7,550	108	163,300
■ 4,000 K (80 CRI)	7,550	108	163,300
■ 5,000 K (70 CRI)	6,980	99	151,000

<sup>1</sup> Lumen output values are based on a 10° lens

4.5° Beam Angle (VN Option)

Static White & Color <sup>1</sup>	Lumen Output (lm)	Efficacy (lm/W)	Peak Intensity (cd)
■ 2,700 K (80 CRI)	6,230	78	588,600
■ 3,000 K (80 CRI)	6,500	81	613,700
□ 3,500 K (80 CRI)	7,030	88	663,800
■ 4,000 K (80 CRI)	7,030	88	663,800
■ 5,000 K (70 CRI)	6,500	81	613,700

<sup>1</sup> Lumen output values are based on a 4.5° lens

<b>Beam Angles</b>	4.5°, 5°, 10°, 15°, 30°, 45°, 65°, 10° x 40°, 40° x 10°, 10° x 60° 60° x 10°, 20° x 40° 40° x 20°, 20° x 60°, 60° x 20°
--------------------	---



Products and specifications are subject to change without notice.  
LS9162-230310

**Electrical**

<b>Power Consumption</b>	69 W <sup>1</sup> , 80 W
<b>Lifetime</b>	>60,000 hrs (B10, L70, TM21 Reported)
<b>Input Voltage</b>	International 220 to 240 Vac, 50 Hz North America 120/277 Vac, 60 Hz
<b>Earth Leakage</b>	0.29 mA @ 120 Vac, 0.33 mA @ 240 Vac, 0.35 mA @ 277 Vac
<b>Thermal Management</b>	CoolDrive™ onboard thermal monitoring and control

<sup>1</sup> Available on very narrow (VN) beam angle option

**Control**

<b>Protocols</b>	DALI® (International), 0-10 V (North America), Non-Dimmable
------------------	---

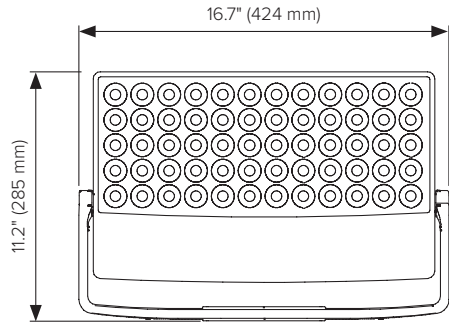
**Physical**

<b>Housing</b>	Marine-grade die-cast aluminum, tempered glass lens, isolated stainless steel fasteners, adjustable mounting yoke (lockable) with mounting surface galvanic isolator
<b>Finish</b>	Superior 9-step powder-coating process, including marine-grade epoxy undercoat and polyester top-coat
<b>Installation</b>	Surface-mounted with included galvanic isolator
<b>Adjustable</b>	Adjustable mounting yoke
<b>Ambient Operating Temperature</b>	-40°F to 122°F (-40°C to 50°C)
<b>Surface Temperature</b>	≤138°F (59°C)
<b>Weight</b>	15.4 lb (7.0 kg)
<b>Effective Projected Area</b>	1.2 ft² (0.1 m²)

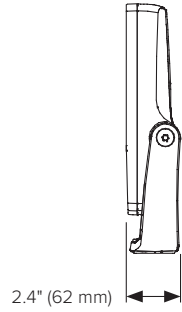
**Certification & Compliance**

<b>IP Rating</b>	IP66 / IP67 (Passes IP68 test)
<b>IK Rating</b>	IK9
<b>Vibration Resistance</b>	3G Rating (ANSI C136.31) <i>With optional 3G Bracket</i>
<b>Environment</b>	Dry, Damp, Wet locations
<b>Certifications</b>	ETL, CE, UKCA, RCM, FCC

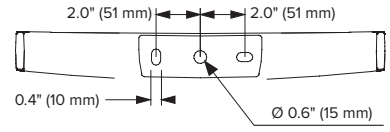
Dimensions



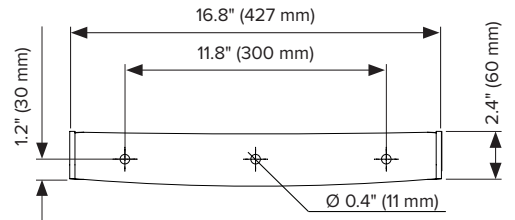
Front View



Side View



Standard Bracket



Optional 3G Bracket

Specification Matrix



Power Consumption	Code
69 W	69D
80 W	80D <sup>1</sup>

<sup>1</sup> Very narrow (VN) beam angle option only

Static White & Color	Code
2,700 K (80 CRI)	827
3,000 K (80 CRI)	830
3,500 K (80 CRI)	835
4,000 K (80 CRI)	840
5,000 K (70 CRI)	750

Beam Angles	Code
4.5°	VN
5°	NX
10°	NR
15°	NM
30°	ME
45°	WD
65°	WF
10° x 40°	NH
40° x 10°	NV
10° x 60°	LH
60° x 10°	LV
20° x 40°	MH
40° x 20°	MV
20° x 60°	WH
60° x 20°	WV

Control	Code
Non-Dimmable	ND
DALI (International)	DL
0-10 V (North America)	AH

Connection Type	Code
Flexible, single entry cable for hardwired installations	84

Finish	Code
Black	BL
Anthracite Gray	AG
Basalt Gray	BT
Graphite Gray	GH
Anodic Silver	SL
White	WT
Dark Bronze	DB
Latte	LT
Dark Aluminum	DA
Custom RAL	CC <sup>1</sup>

<sup>1</sup>RAL color required

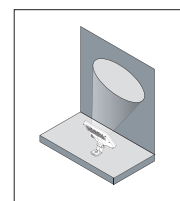
Mounting	Code
Standard Bracket	S
3G Rated Bracket	G <sup>1</sup>

<sup>1</sup>Also provides compatibility with Pole Clamp

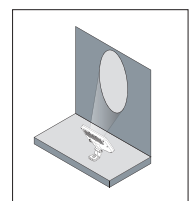
Cable Length	Code
6' (1.8 m)	006

For custom cable lengths, contact Lumascape for more information.

Input Voltage	Code
220 to 240 Vac, 50 Hz (International)	01
120/277 Vac, 60 Hz (North America)	09



Beam Orientation for "LH", "NH", "MH" and "WH"

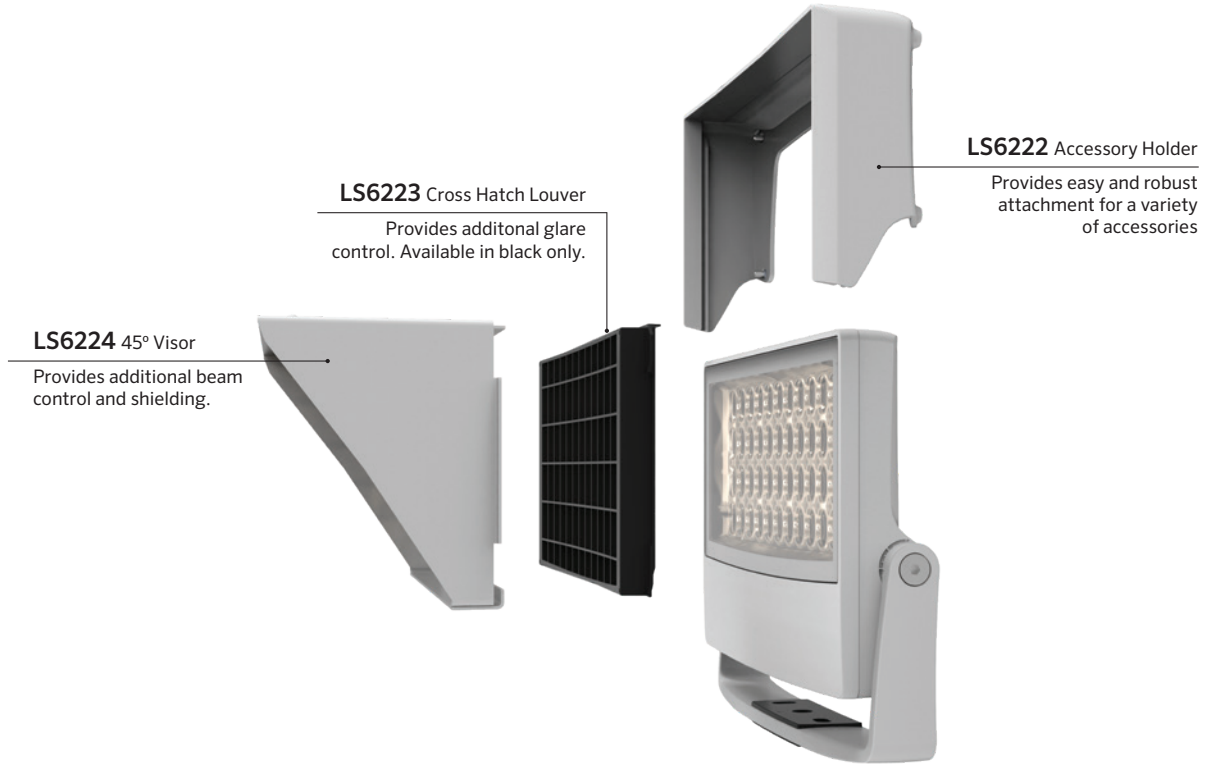


Beam Orientation for "LV", "NV", "MV" and "WV"

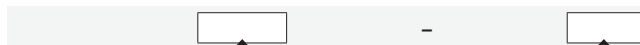
Accessories

Shielding & Glare Control

A range of shielding and glare control accessories are available for the Quadralux Q6 Spotlight.



Specification Matrix



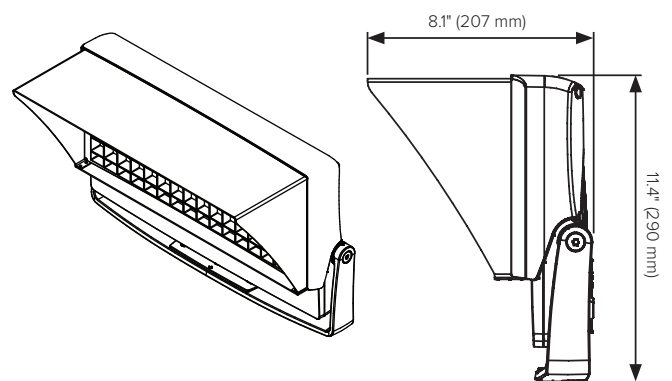
Louver Length	Code
Accessory Holder	LS6222
45° Visor	LS6224

Custom Visors are available on request. Contact Lumascape for more information.

Finish	Code
Black	BL
Anthracite Gray	AG
Basalt Gray	BT
Graphite Gray	GH
Anodic Silver	SL
White	WT
Dark Bronze	DB
Latte	LT
Dark Aluminum	DA
Custom RAL	CC <sup>1</sup>

<sup>1</sup>RAL color required

Technical Drawings



Mounting Accessories

**Pole Clamp** (3G bracket must be used when using this mounting option)

Provides an easy method of installing the fixture onto a pole, while retaining full aiming and adjustability. Available in 3.0" (76 mm), 4.0" (102 mm), 4.5" (114 mm) and 5.0" (127 mm) options.



**NOTE:**

3G Bracket **MUST** be used when using this mounting option

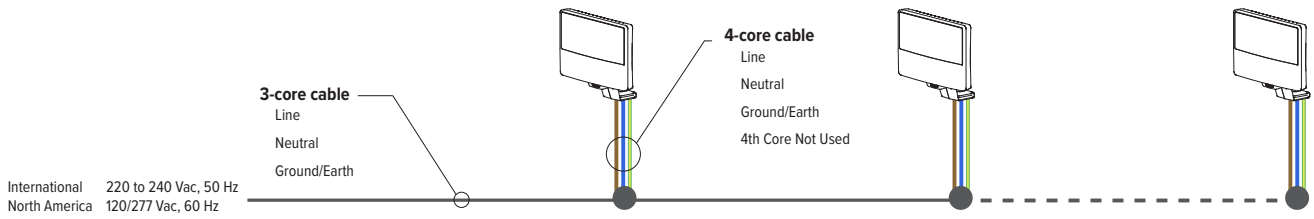
Specification Matrix

Mounting Accessories		Finish	
	Code		Code
3.0" (76 mm) Pole Clamp	LS6317	Black	BL
4.0" (102 mm) Pole Clamp	LS6318	Anthracite Gray	AG
4.5" (114 mm) Pole Clamp	LS6319	Basalt Gray	BT
5.0" (127 mm) Pole Clamp	LS6320	Graphite Gray	GH
		Anodic Silver	SL
		White	WT
		Dark Bronze	DB
		Latte	LT
		Dark Aluminum	DA
		Custom RAL	CC <sup>1</sup>

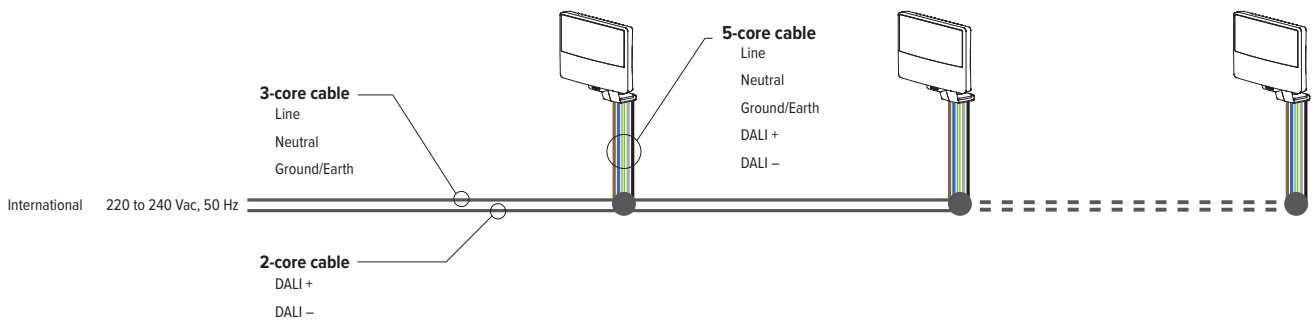
Luminaire must be ordered with a 3G rated bracket.

<sup>1</sup>RAL color required

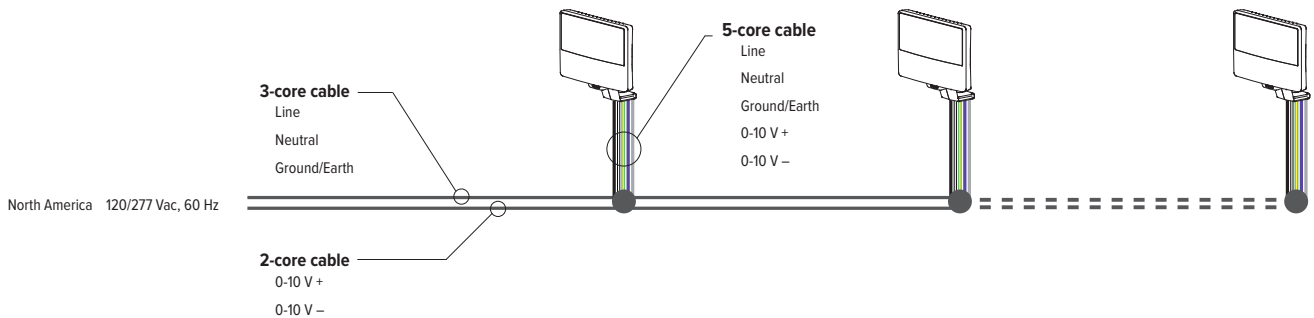
Network Topology – Non-Dimmable



Network Topology – Line Voltage 220 to 240 Vac DALI



Network Topology – Line Voltage 120/277 Vac 0-10 V



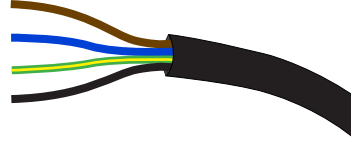
**NOTE:**

For all fixture wire colors and designations see page 9.

Luminaire Wire Colors & Designations

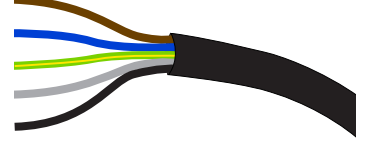
Line Voltage 220 to 240 Vac, Non-Dimmable - International

Designation	Color
Line	Brown
Neutral	Blue
Ground/Earth	Green / Yellow
Not used	Black



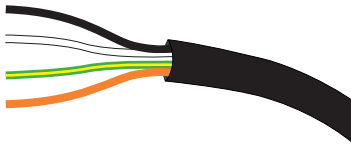
Line Voltage 220 to 240 Vac, DALI - International

Designation	Color
Line	Brown
Neutral	Blue
Ground/Earth	Green / Yellow
DALI +	Gray
DALI -	Black



Line Voltage 120/277 Vac, Non-Dimmable - North America

Designation	Color
Line	Black
Neutral	White
Ground/Earth	Green / Yellow
Not used	Orange or Red



Line Voltage 120/277 Vac, 0 to 10 V - North America

Designation	Color
Line	Black
Neutral	White
Ground/Earth	Green / Yellow
0-10 V +	Purple
0-10 V -	Pink or Gray

