

## LS9407LED: Vedita Ceiling / Cavity Mount

**Warranty void if not installed as per installation instructions**

Note: Fixture uses intelligent driver. Always leave on for 20 seconds unless programming.

DANGER

**ISOLATE LUMINAIRE FROM POWER**

Failure to isolate power supply before installation or maintenance may result in fire, serious injury, electric shock, death and may damage the luminaire.



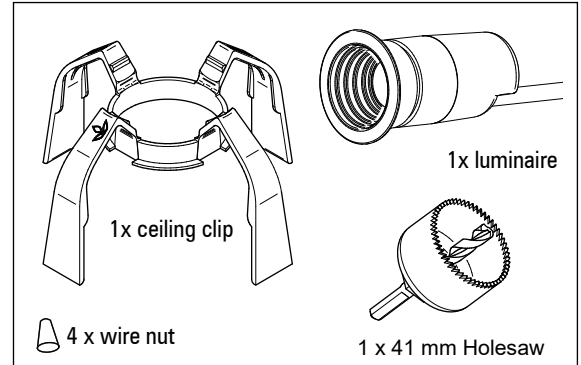
WARNING

It is strongly recommended to use Lumascape power supply or transformer

Use of electronic transformer will permanently damage luminaire

All connections must be kept dry; failure to do so may result in product reliability issues

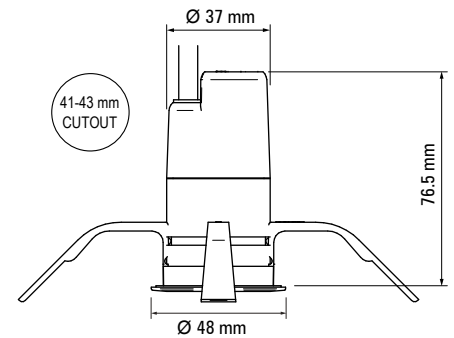
Opening luminaire will void warranty



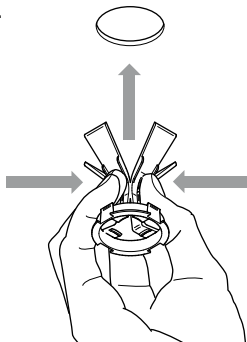
**1.** Use a Lumascape supplied 24 V DC ripple free power supply or transformer, locate centrally in relation to the luminaires.  
**NOTE:** Generally 24 V DC ripple free power supplies should be installed in a well ventilated fully under cover environment.  
**NOTE:** DC Power supplies are more efficient than AC transformers. Under no circumstances can an 'electronic' transformer be used, this may damage the product.

**2.** Mark actual locations of luminaires to be installed. Using the charts overleaf calculate the cable size on each run including all luminaires to be connected to a run of cable. Use the same chart to select power supply.

**3.** Mark locations of luminaires and using holesaw supplied, drill hole in ceiling or cavity wall.



**4.** Fold legs up on the ceiling clip and insert into hole and feed LS9407LED cable through mounting clip, connect to supply as per instructions supplied with the LS9407LED and test.



**5.** Lay cable from power supply/transformer for each cable run. **NOTE:** If dimming is required then four conductors will be required. For non-dimmed (usual installation) only two conductors are required. Dimming circuit can use 1 mm cable.

**6.** Connect the luminaire to the supply cable using the wire nuts supplied. Any joint must be dry and water tight or warranty will be void.  
**NOTE:** The orange and grey wires are for optional PWM digital dimming using 0-10 V. Lumascape accessory LS6125 is required.

**!** If dimming is not required, do not connect the orange and grey wires. In all cases they are to be sealed and kept dry. Failure to do so will result in the T5 smart driver dimming the luminaire due to a voltage differential between the two conductors.

**7.** Switch on and check each luminaire is operating.

**8.** Press LS9407LED fully into mounting clip.

